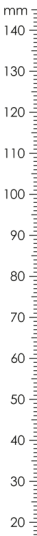
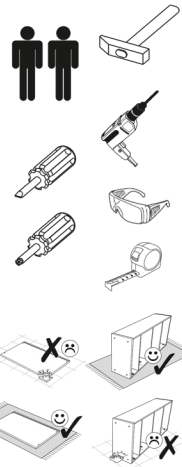
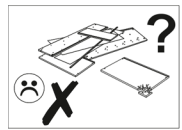
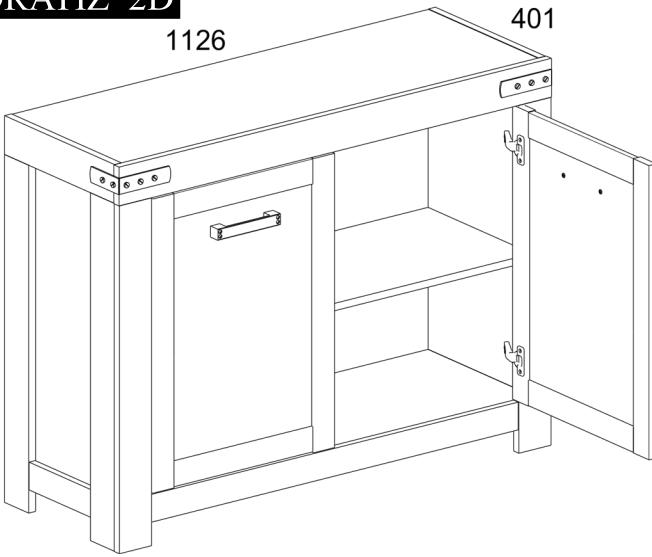


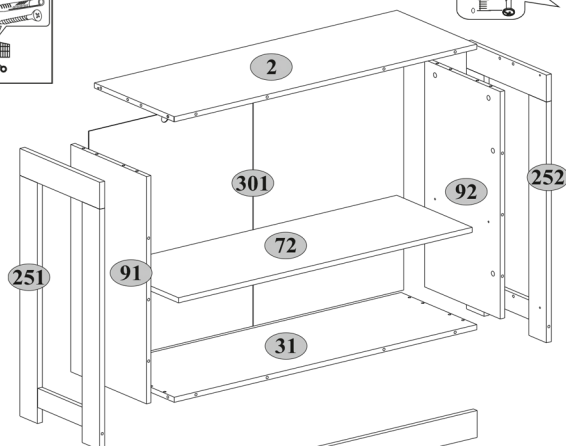
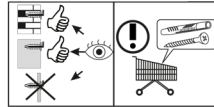
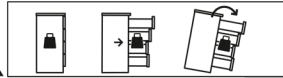
1126

401

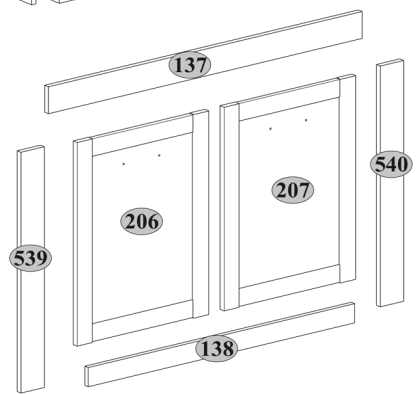
840



<b>A1</b> 7x34 22	<b>A2</b> Ø15x12 22	<b>B5</b> 10x50 2
<b>C1</b> 8x35 22	<b>D1</b> 4	<b>E2</b> 4
<b>H48</b> 2	<b>I</b> S4 1	<b>M5</b> M4x25 4
<b>N1</b> 6	<b>P5</b> 4	<b>R3</b> 3x20 16
<b>R23</b> 6,3x13 8	<b>R24</b> 7x50 4	<b>R102</b> 3,5x16 28
<b>S1</b> 4	<b>S5</b> Ø18 4	<b>U.1</b> 45x35x15 2
<b>U5</b> 36x36 4	<b>V8</b> 2	



	mm	mm	mm		
2	1088	382	16	1	2/2
31	1088	362	16	1	2/2
72	1056	360	22	1	2/2
91	710	362	16	1	1/2
92	710	362	16	1	1/2
137	1126	84	18	1	2/2
138	957	60	16	1	2/2
206	636	474	19	1	1/2
207	636	474	19	1	1/2
251	836	382	18	1	1/2
252	836	382	18	1	1/2
301	732	1082	2,5	1	1/2
539	752	84	18	1	2/2
540	752	84	18	1	2/2



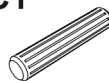
**1****A1**

7x34

**A2**

4

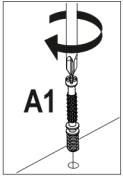
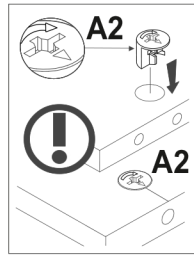
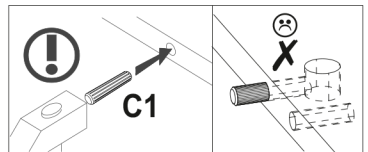
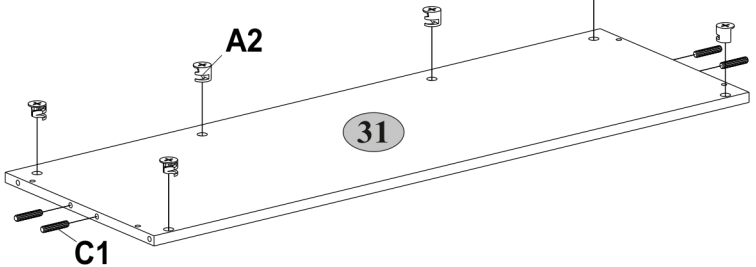
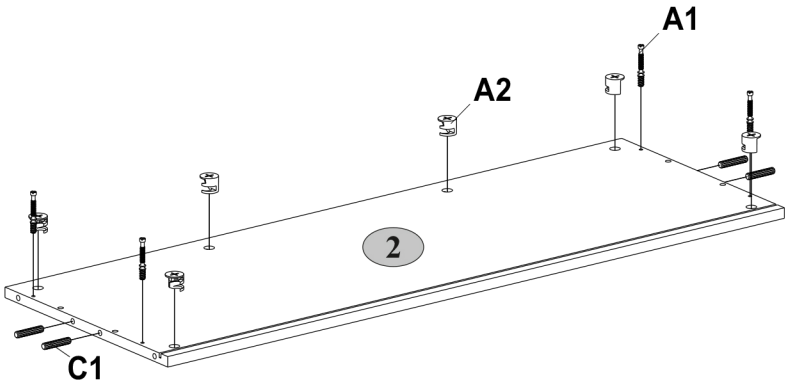
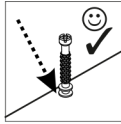
Ø15x12

**C1**


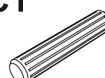

12

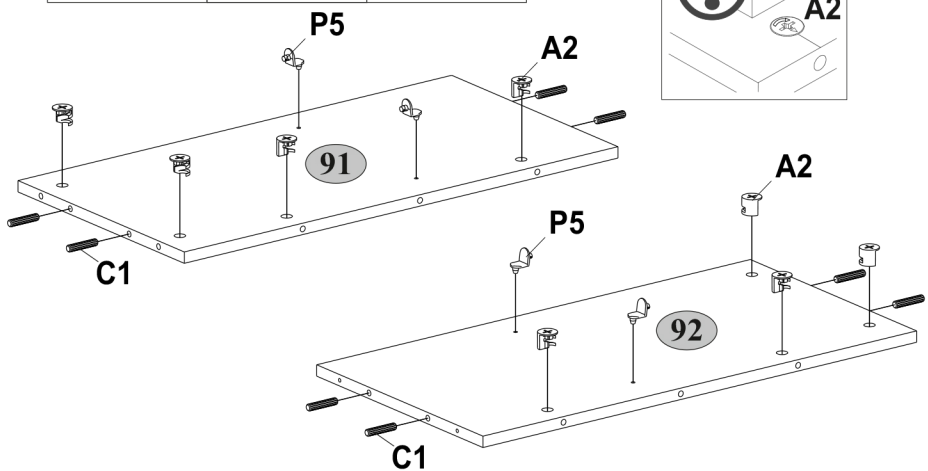
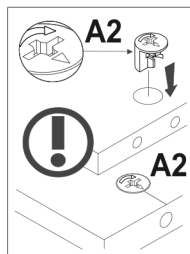
8x35

8



**A1**

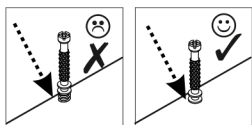
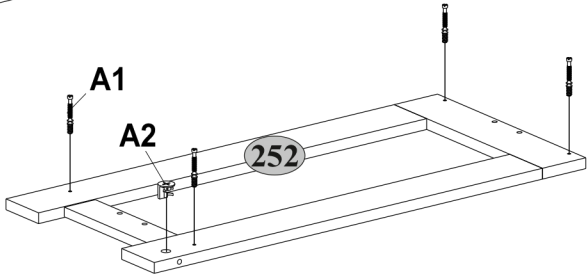
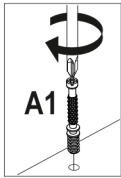
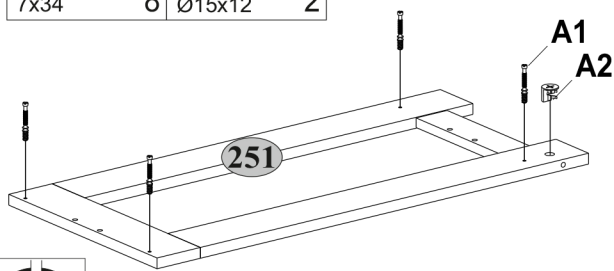
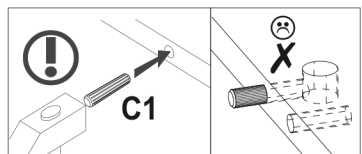
**2**

<b>A2</b>  Ø15x12	<b>C1</b>  8x35	<b>P5</b>  4
---	---	--



**3**

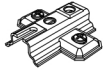
<b>A1</b>  7x34	<b>A2</b>  Ø15x12
--	--



**4****A1**

7x34

10

**D1**

4

**R23**

6,3x13

8

**R102**

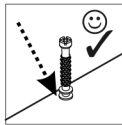
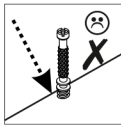
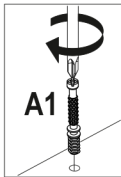
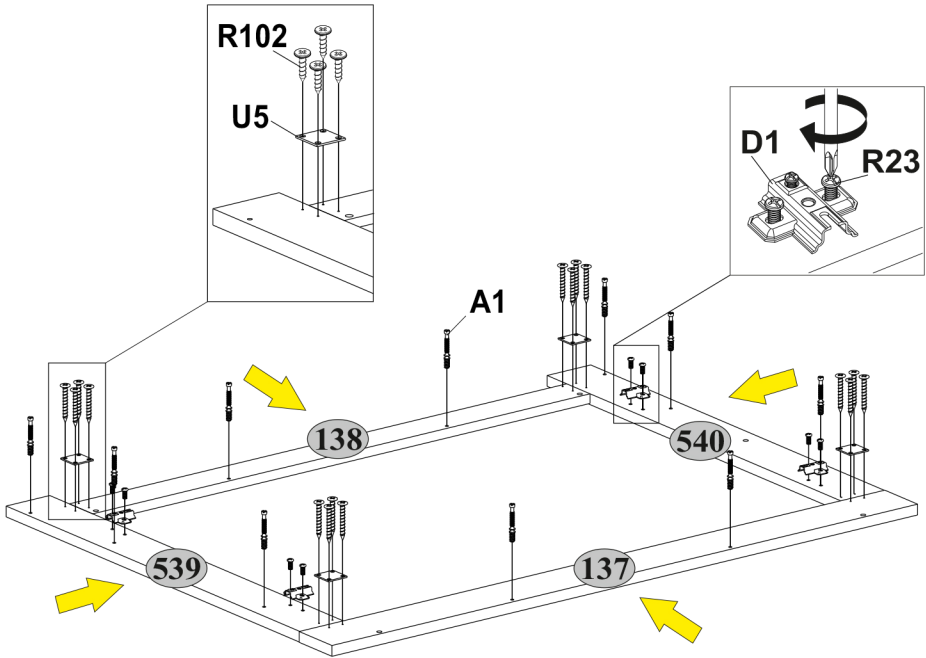
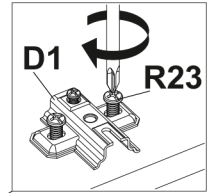
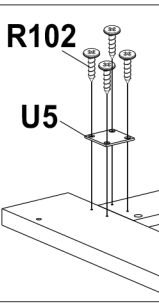
3,5x16

16

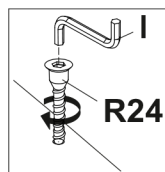
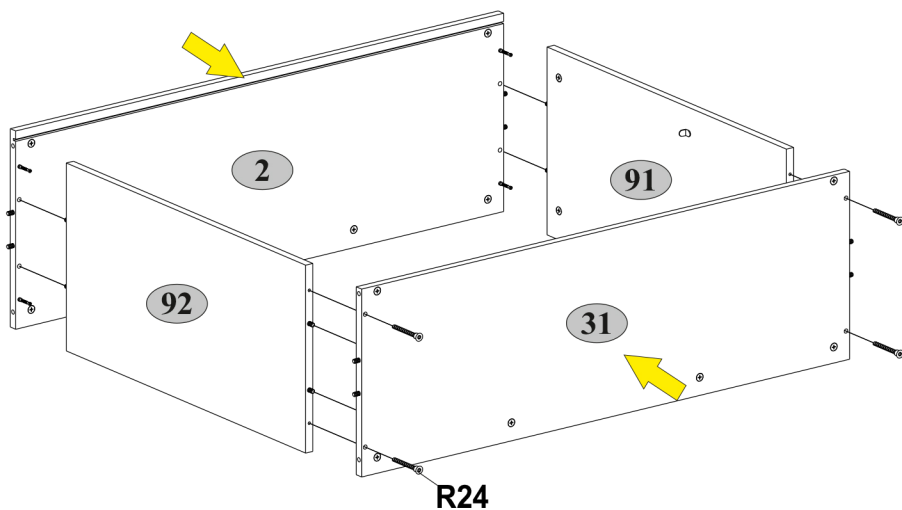
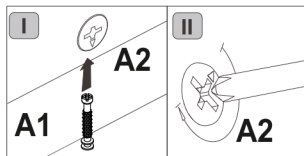
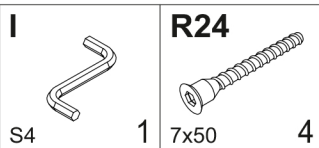
**U5**

36x36

4



5



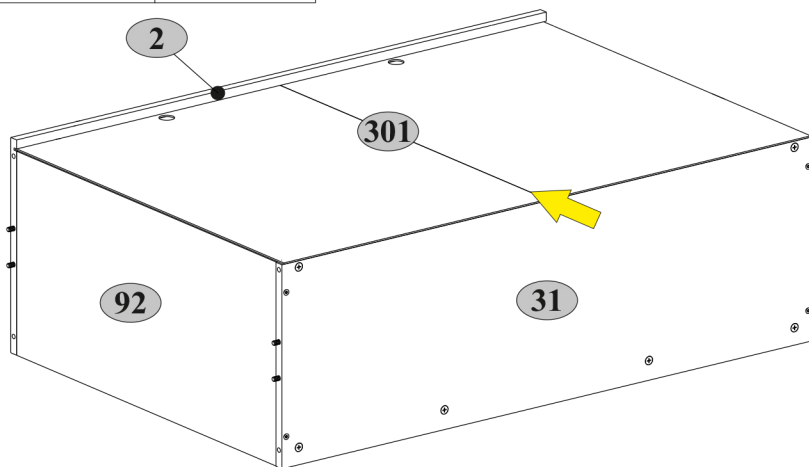
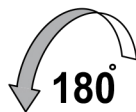
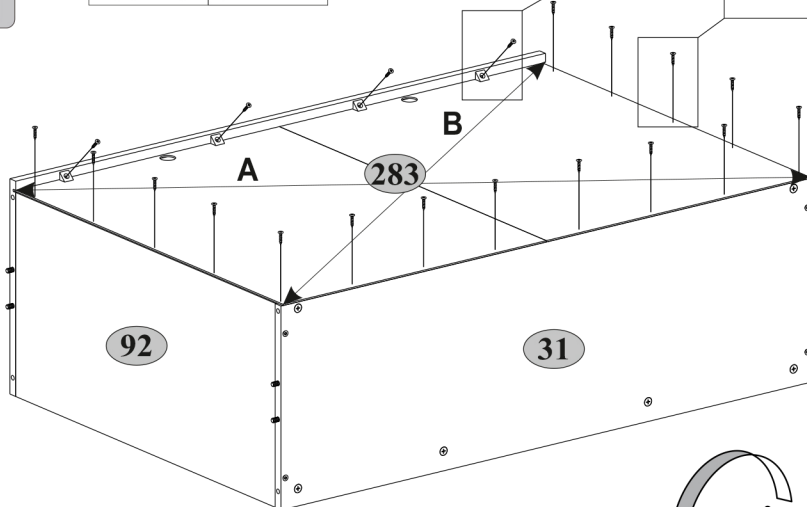
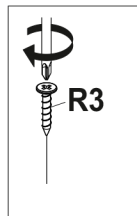
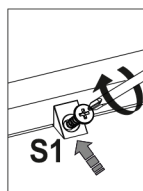
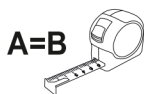
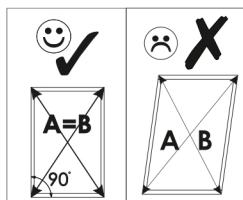
**6****R3**

3x20

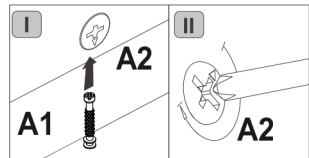
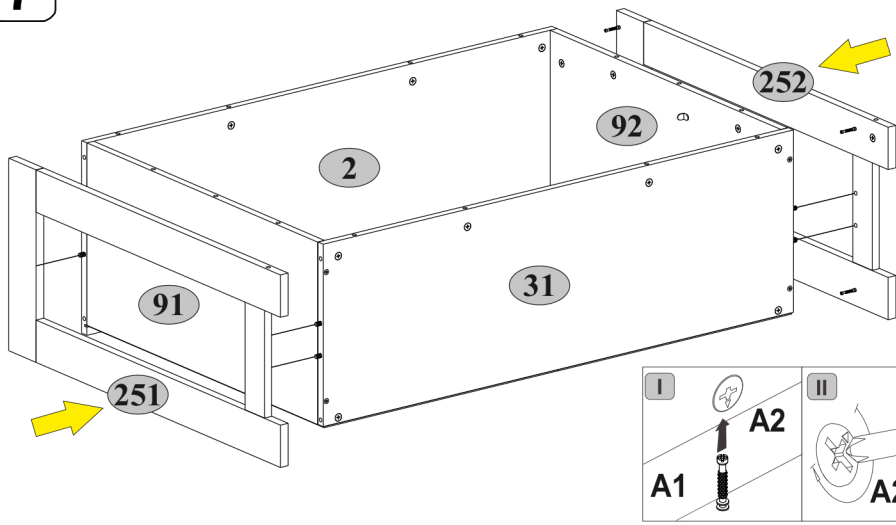
**S1**

16

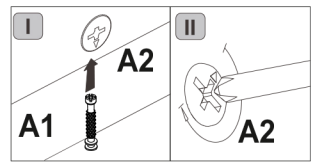
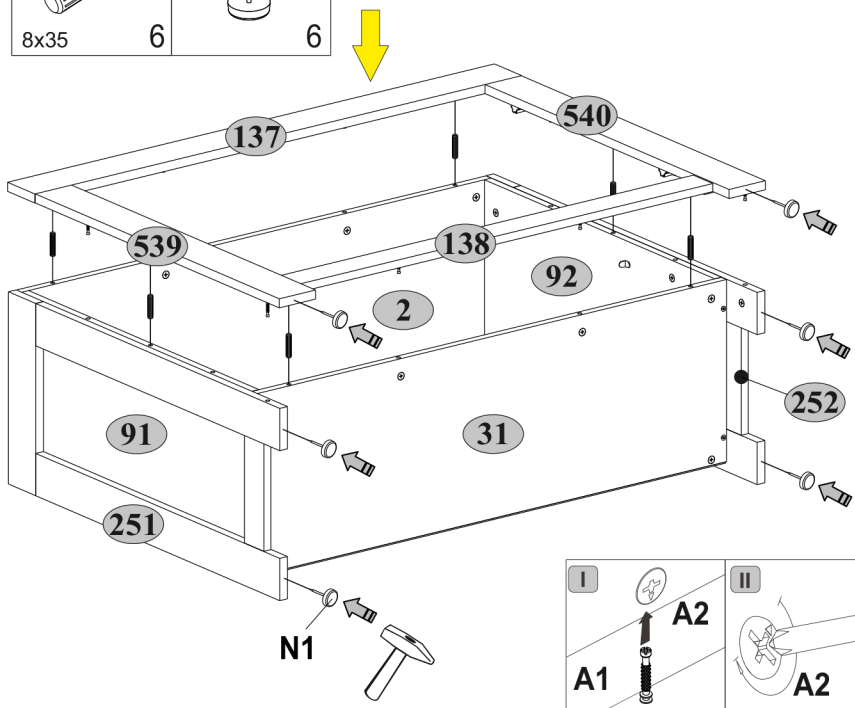
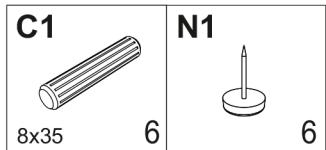
4

**I****II**

7



8



9

B5



10x50

2

R102



3,5x16

4

S5



Ø18

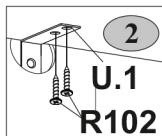
4

U.1



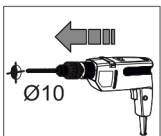
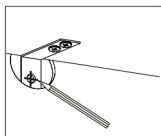
45x35x15

2

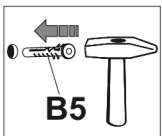


2

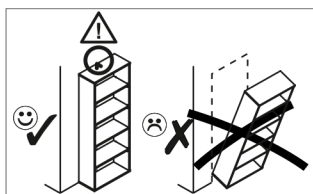
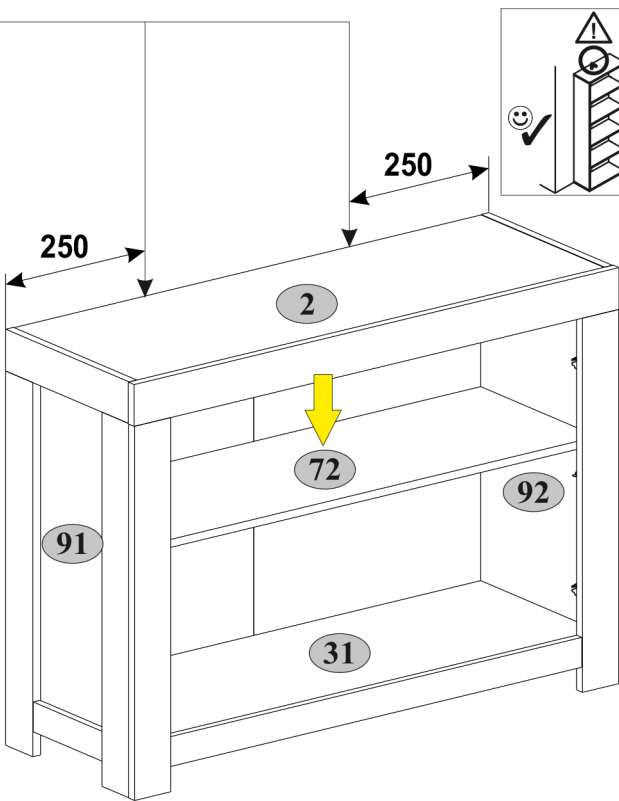
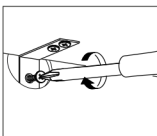
U.1  
R102



Ø10



B5

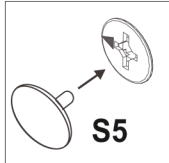


72 31

max.  
5 kg

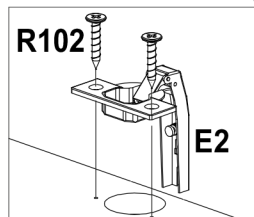
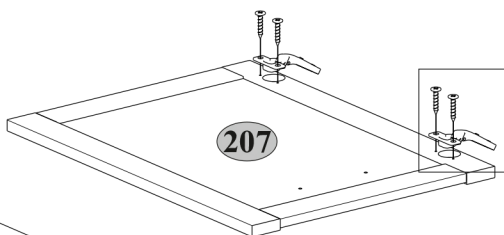
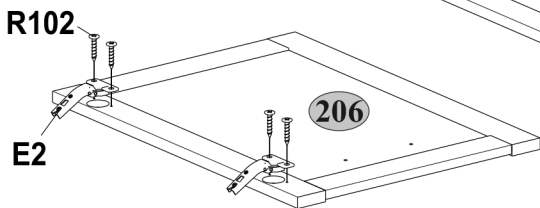
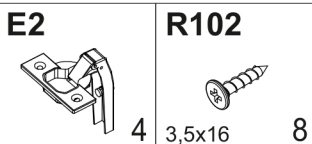
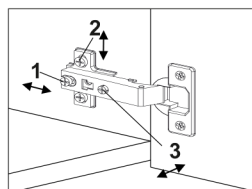
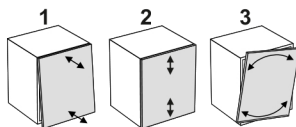
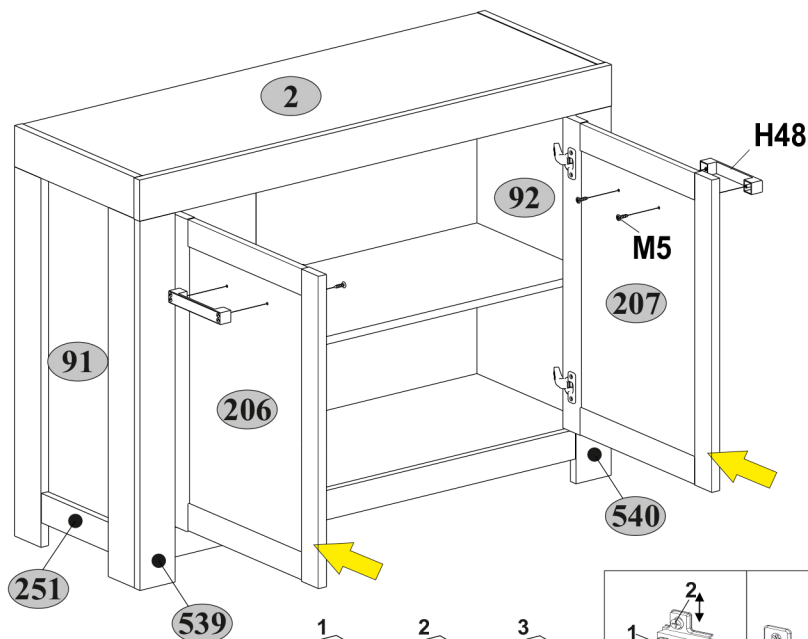
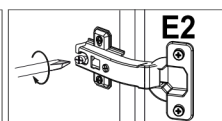
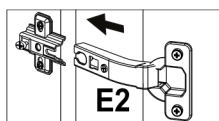
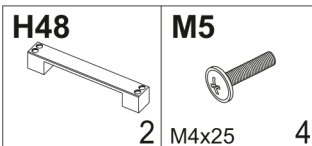
2

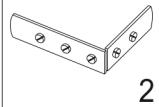
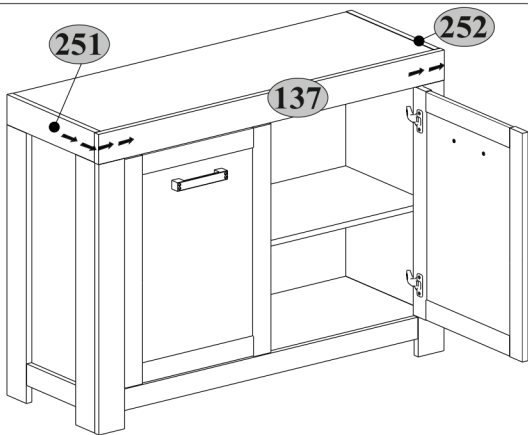
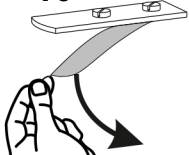
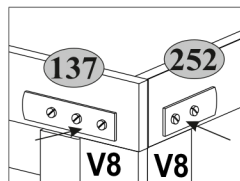
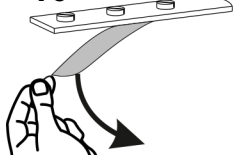
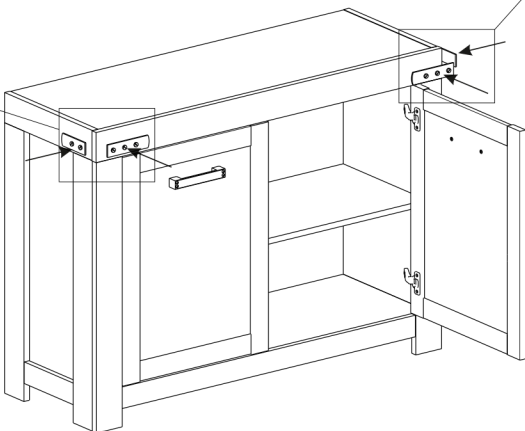
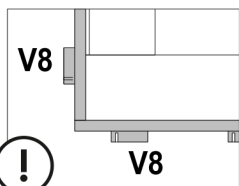
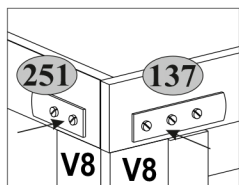
max.  
15 kg



S5



**10****11**

**12****V8****1****2****!****3****4****V8****V8****5****!**